



**AGRI-TECH**®

DISTRIBUTORS OF HOSE  
AND ALLIED PRODUCTS

www.agri-tech.co.za

+27 21 949 5844

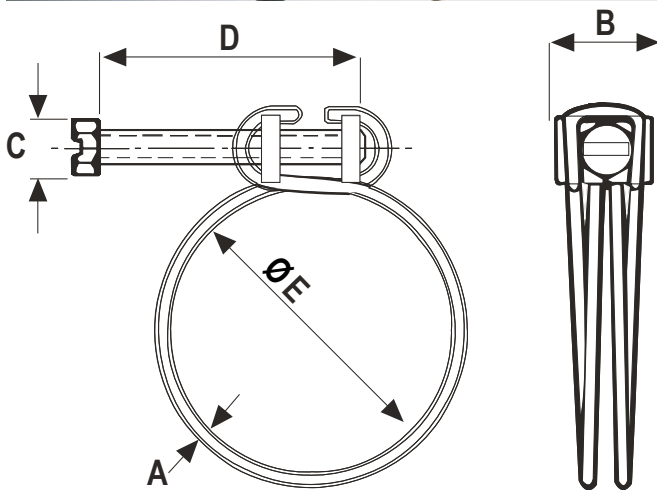
info@agri-tech.co.za

Cnr Willow & Tedric Street, Stikland  
Bellville, Cape Town, South Africa, 7530

## “WB” Screw Type Wire Hose Clamps

The wire ‘Push-Pull’ clamps are ideal for automotive, agricultural and industrial applications. They are manufactured from high quality spring-steel wire which provides a small cross sectional area providing a very tight sealing action with limited torque. The tightening performance is achieved by the “Push-Pull” action of a tap nut and thrust nut being opened, thus reducing the clamping circumference as torque is applied to the screw. The plated double-strand wire construction provides a double action seal which ensures greater durability and a higher resistance to “blow-off”.

## “WB” Screw Type Wire Hose Clamps



| Code   | Ø E - mm |      | Fastener<br>Size | Dimensions as per drawing |      |     |      | Torque<br>Nm Rec* |
|--------|----------|------|------------------|---------------------------|------|-----|------|-------------------|
|        | Min      | Max  |                  | A                         | B    | C   | D    |                   |
| WB2012 | 10.5     | 12.0 | M3               | 1.5                       | 11.0 | 5.5 | 25.0 | 1.0               |
| WB2013 | 12.0     | 13.0 | M3               | 1.5                       | 11.0 | 5.5 | 25.0 | 1.0               |
| WB2014 | 13.0     | 14.0 | M3               | 1.5                       | 11.0 | 5.5 | 25.0 | 1.0               |
| WB2015 | 14.0     | 15.0 | M3               | 1.5                       | 11.0 | 5.5 | 25.0 | 1.0               |
| WB2016 | 15.0     | 16.0 | M3               | 1.8                       | 11.0 | 5.5 | 25.0 | 1.5               |
| WB2017 | 16.0     | 17.0 | M3               | 1.8                       | 11.0 | 5.5 | 25.0 | 1.5               |
| WB2018 | 17.0     | 18.0 | M3               | 1.8                       | 11.0 | 5.5 | 25.0 | 1.5               |
| WB2019 | 18.0     | 19.0 | M3               | 1.8                       | 11.0 | 5.5 | 25.0 | 1.5               |
| WB2020 | 19.0     | 20.0 | M3               | 1.8                       | 11.0 | 5.5 | 25.0 | 1.5               |
| WB2021 | 20.0     | 21.0 | M3               | 1.8                       | 11.0 | 5.5 | 25.0 | 1.5               |
| WB2022 | 21.0     | 22.0 | M4               | 2.0                       | 14.0 | 7.0 | 30.0 | 2.0               |
| WB2023 | 22.0     | 23.0 | M4               | 2.0                       | 14.0 | 7.0 | 30.0 | 2.0               |
| WB2025 | 23.0     | 25.0 | M4               | 2.2                       | 14.0 | 7.0 | 30.0 | 2.0               |
| WB2027 | 25.0     | 27.0 | M4               | 2.2                       | 14.0 | 7.0 | 30.0 | 2.0               |
| WB2029 | 26.0     | 29.0 | M4               | 2.2                       | 14.0 | 7.0 | 30.0 | 2.0               |
| WB2031 | 28.0     | 31.0 | M4               | 2.2                       | 14.0 | 7.0 | 30.0 | 2.0               |
| WB2033 | 30.0     | 33.0 | M4               | 2.2                       | 14.0 | 7.0 | 30.0 | 2.0               |
| WB2035 | 32.0     | 35.0 | M4               | 2.2                       | 14.0 | 7.0 | 30.0 | 2.0               |
| WB2037 | 34.0     | 37.0 | M4               | 2.2                       | 14.0 | 7.0 | 30.0 | 2.0               |
| WB2040 | 36.0     | 40.0 | M4               | 2.2                       | 14.0 | 7.0 | 30.0 | 2.0               |
| WB2043 | 39.0     | 43.0 | M4               | 2.2                       | 14.0 | 7.0 | 30.0 | 2.0               |
| WB2046 | 42.0     | 46.0 | M5               | 2.5                       | 15.0 | 8.0 | 40.0 | 4.0               |
| WB2049 | 45.0     | 49.0 | M5               | 2.5                       | 15.0 | 8.0 | 40.0 | 4.0               |
| WB2051 | 46.0     | 50.0 | M5               | 2.5                       | 15.0 | 8.0 | 40.0 | 4.0               |
| WB2053 | 48.0     | 53.0 | M5               | 2.5                       | 15.0 | 8.0 | 40.0 | 4.0               |
| WB2056 | 52.0     | 56.0 | M5               | 2.5                       | 15.0 | 8.0 | 40.0 | 4.0               |
| WB2060 | 55.0     | 60.0 | M5               | 2.5                       | 15.0 | 8.0 | 40.0 | 4.0               |
| WB2064 | 59.0     | 64.0 | M5               | 2.5                       | 15.0 | 8.0 | 40.0 | 4.0               |



\*Recommended. Bigger sizes available on request.

The rings & components are zinc electroplated to S.A.B.S. 814, 1974. Manufactured in South Africa.



Our company’s policy is one of continuous product innovation, and we reserve the right to change specifications without notice. Any such changes would benefit customers and be driven by our response to market requirements and changing specifications.