



AGRI-TECH®

DISTRIBUTORS OF HOSE
AND ALLIED PRODUCTS

www.agri-tech.co.za

+27 21 949 5844

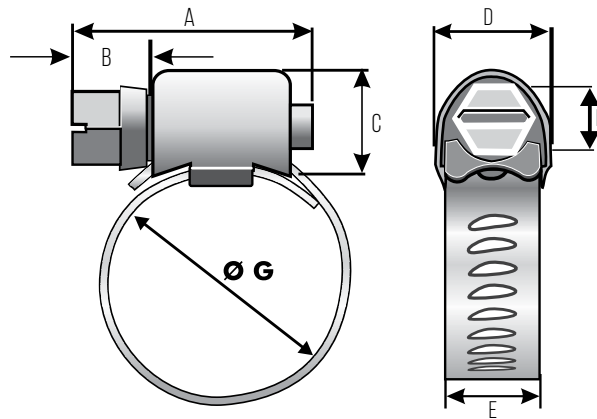
info@agri-tech.co.za

Cnr Willow & Tedric Street, Stikland
Bellville, Cape Town, South Africa, 7530

Worm-drive 'Econ' Micro Hose Clamps

Lightweight 'Econ' or Micro Hose clamps are ideal for smaller diameter and lighter duty applications such as air & fuel line hoses. They are available in a standard range which has a 400 series Stainless Steel band with zinc plated carbon steel screw and housing and also in full stainless steel.

The clamp's design has a construction that is free of spot welding and therefore a reduced potential for corrosion. The narrower 8mm perforated band permits relatively higher sealing pressure with less torque than the standard 12mm band-width clamps. With the low profile and narrow one-piece housing, easy installation in difficult areas is possible. The slotted 6mm hex head screw allows for screw-driver or socket installation.



	Dimensions	
	mm	inches
A	19.5	1 1/8
B	9	11/32
C	10.2	5/16
D	6	1/16
E	8	15/32
F	11.5	29/64
G	# see range below	

Worm-drive 'Econ' Micro Hose Clamps

Code Ref.	Nominal Working Range Ø				Torque Nm SABS*
	mm		inches		
	Min	Max	Min	Max	
GMS2	6	13	7/32	1/2	2.5
GMS4	6	16	7/32	5/8	2.5
GMS6	6	22	7/32	7/8	2.5
GMS10	6	27	7/32	1 1/16	2.5
GM2	6	13	7/32	1/2	2.5
GM4	6	16	7/32	5/8	2.5
GM6	6	22	7/32	7/8	2.5
GM10	6	27	7/32	1 1/16	2.5

The 'GMS' Series Full Stainless Steel Econ Micro Clamps

Ideally suited to mining, marine, agriculture and chemical applications; where extra resistance against corrosion is required.

- Manufactured entirely from 300 series Stainless Steel

The 'GM' Series Economy Econ Micro Clamps

Ideally suited to general and automotive applications.

- Consists of a 400 series stainless steel band
- Zinc electroplated carbon steel housing
- Zinc electroplated, case hardened and slotted screw



* SABS - South African Bureau of Standards. Bigger sizes available on request. Manufactured in South Africa.



Our company's policy is one of continuous product innovation, and we reserve the right to change specifications without notice. Any such changes would benefit customers and be driven by our response to market requirements and changing specifications.