



AGRI-TECH®

DISTRIBUTORS OF HOSE
AND ALLIED PRODUCTS

www.agri-tech.co.za

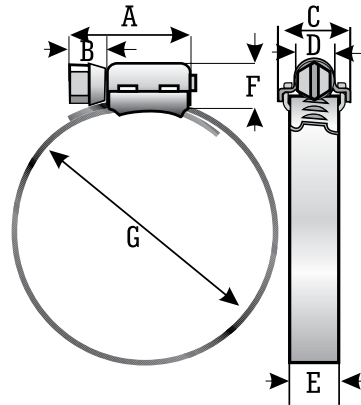
+27 21 949 5844

info@agri-tech.co.za

Cnr Willow & Tedric Street, Stikland
Bellville, Cape Town, South Africa, 7530

Fixed Bridge Worm-drive Hose Clamps

The re-usable Steel Fixed Bridge Worm-drive Hose Clamps are suitable for all plastic and rubber hoses. The high strength mechanically interlocked construction has no spot welding to weaken resistance to corrosion. The flexible band facilitates handling and fitting. The screw thread fully penetrates the perforated band; increasing the strength and reducing the risk of the clamp working loose. An 8mm slotted hex screw is standard, but a 7mm hex is available on request.



Dimensions		
	mm	inches
A	29.0	1 1/8
B	8.5	11/32
C	17.5	21/32
D	8.0	5/16
E	12.0	15/32
F	11.5	29/64
G	# see range below	

Fixed Bridge Worm-drive Hose Clamps

Fixed Bridge Codes		Working Range Ø "G"				Torque Nm Rec*
Economy	Stainless	mm		inches		
'GS'	'GSS'	Min	Max	Min	Max	
GS10	GSS10	14	27	9/16	1 1/16	5.0
GS12	GSS12	14	32	9/16	1 1/4	5.0
GS16	GSS16	17	38	1 1/16	1 1/2	5.0
GS20	GSS20	19	44	3/4	1 3/4	5.0
GS24	GSS24	25	51	1	2	6.0
GS28	GSS28	32	57	1 1/4	2 1/4	6.0
GS32	GSS32	38	63	1 1/2	2 1/2	6.0
GS36	GSS36	44	70	1 3/4	2 3/4	6.0
GS40	GSS40	51	76	2	3	7.0
GS44	GSS44	57	82	2 1/4	3 1/4	7.0
GS48	GSS48	63	89	2 1/2	3 1/2	7.0
GS52	GSS52	70	95	2 3/4	3 3/4	7.0
GS54	GSS54	72	98	2 13/16	3 13/16	7.0
GS56	GSS56	76	102	3	4	7.0

The 'GS' Economy Fixed Bridge Clamp

Ideally suited to general and automotive applications.

- Consists of a 400 series stainless steel band
- Zinc electroplated steel housing
- Zinc electroplated, case hardened screw

The 'GSS' Full Stainless Steel Fixed Bridge Clamp

Ideally suited to mining, marine, food, automotive, agriculture and chemical applications - where extra resistance against corrosion is required.

- Manufactured entirely from 300 series stainless steel



*Recommended.
Bigger sizes available on request.
Manufactured in South Africa.



Our company's policy is one of continuous product innovation, and we reserve the right to change specifications without notice. Any such changes would benefit customers and be driven by our response to market requirements and changing specifications.